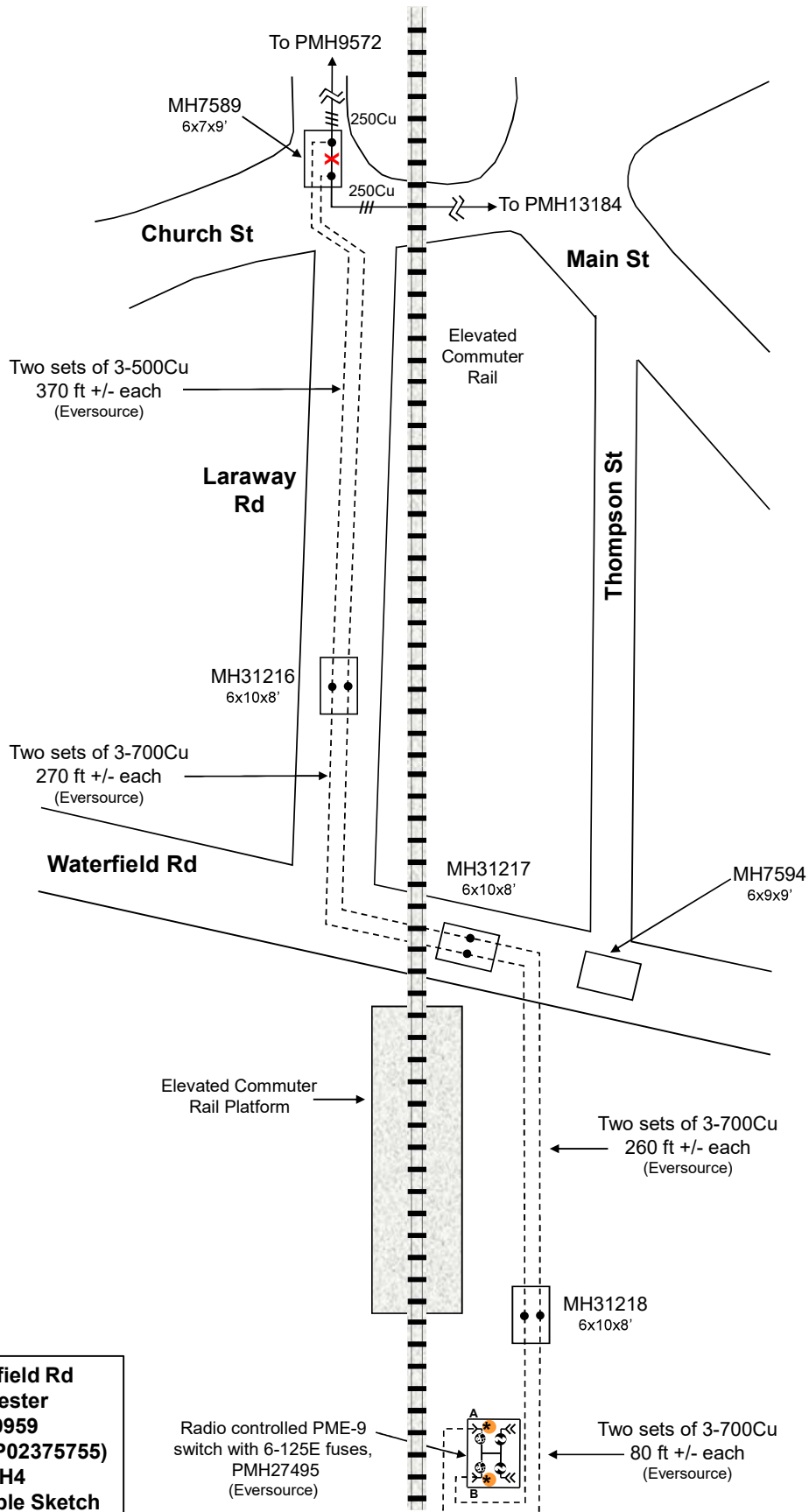
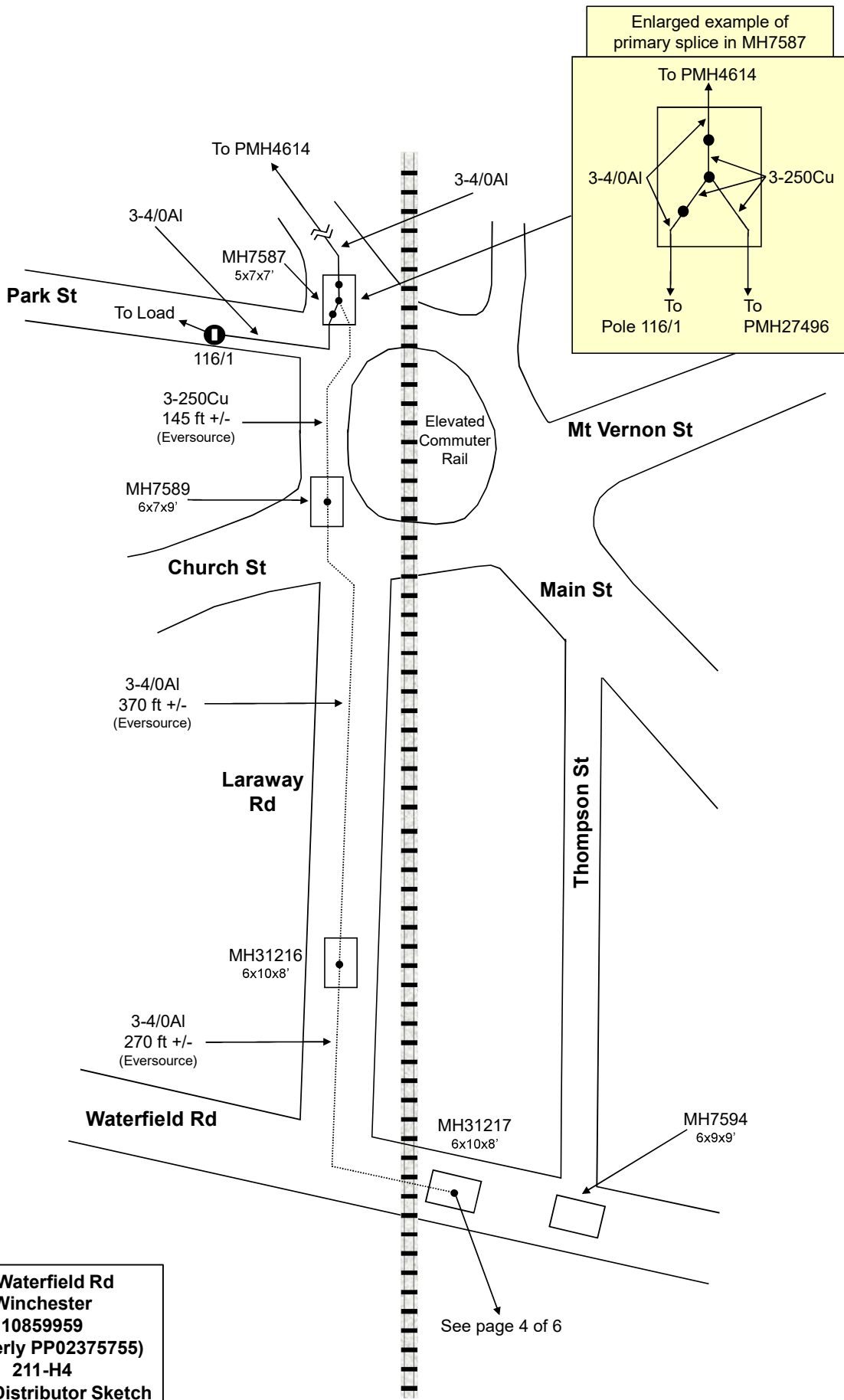


25 Waterfield Rd
Winchester
10859959
(Formerly PP02375755)
211-H4
Conduit Sketch
Stephen F. Wasylak, Jr.
October 21, 2020
Rev. November 2, 2022
Page 1 of 6

Please leave a message on the Eversource Conduit Inspection Line @ 617-541-7071 a minimum of 72 hours prior to starting construction, to arrange a required pre-construction meeting with an Eversource Conduit Inspector.
 All ductwork, manholes, padmount bases, and grounding must be installed per Eversource Standards **DTR 76.650, DTR 76.654, DTR 63.100, DTR 63.102, and UG 42.100,** and be inspected by Eversource prior to backfilling or concrete encasement.

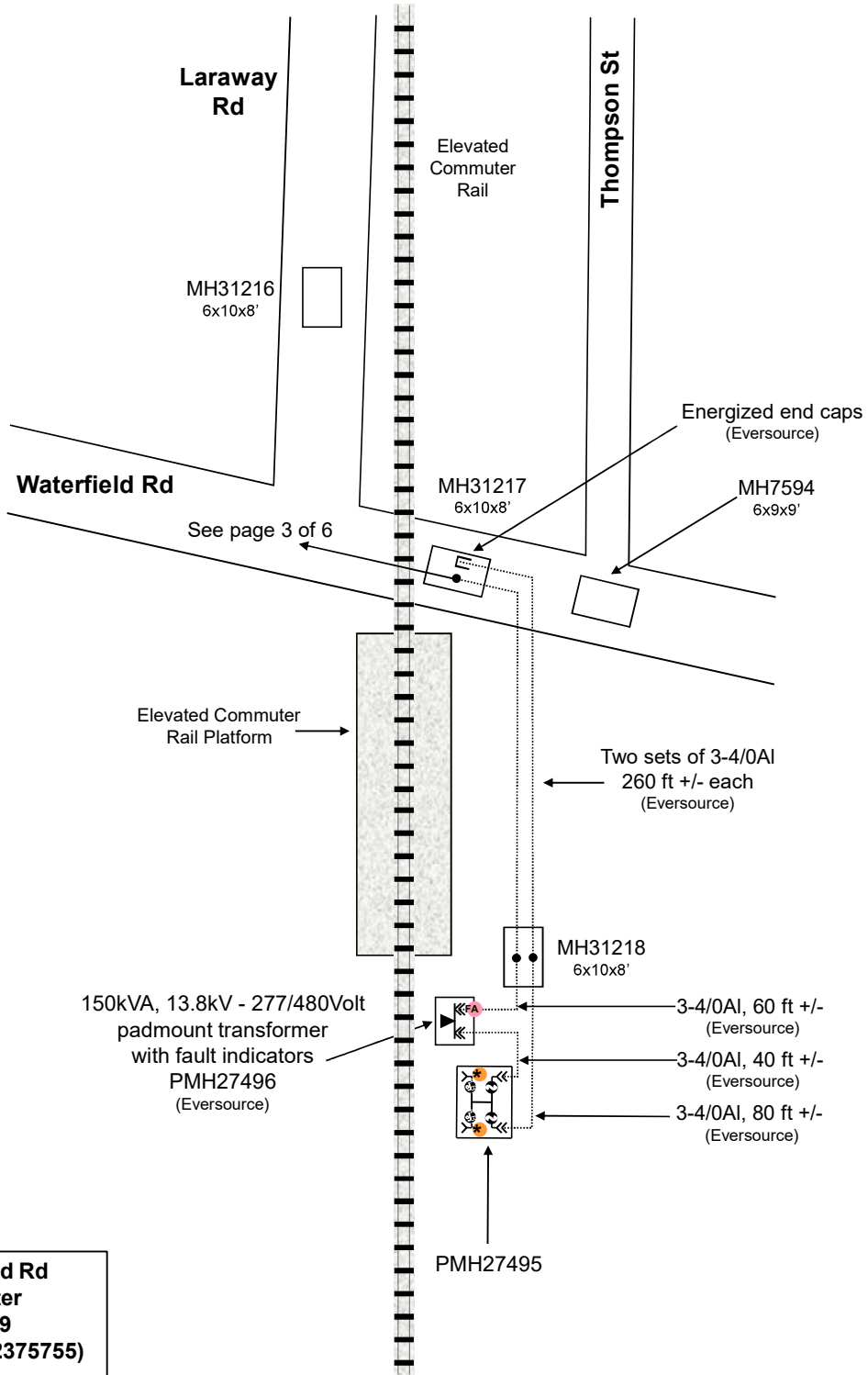
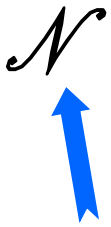


**25 Waterfield Rd
Winchester
10859959
(Formerly PP02375755)
211-H4
Primary Cable Sketch
Stephen F. Wasylak, Jr.
October 21, 2020
Rev. November 2, 2022
Page 2 of 6**

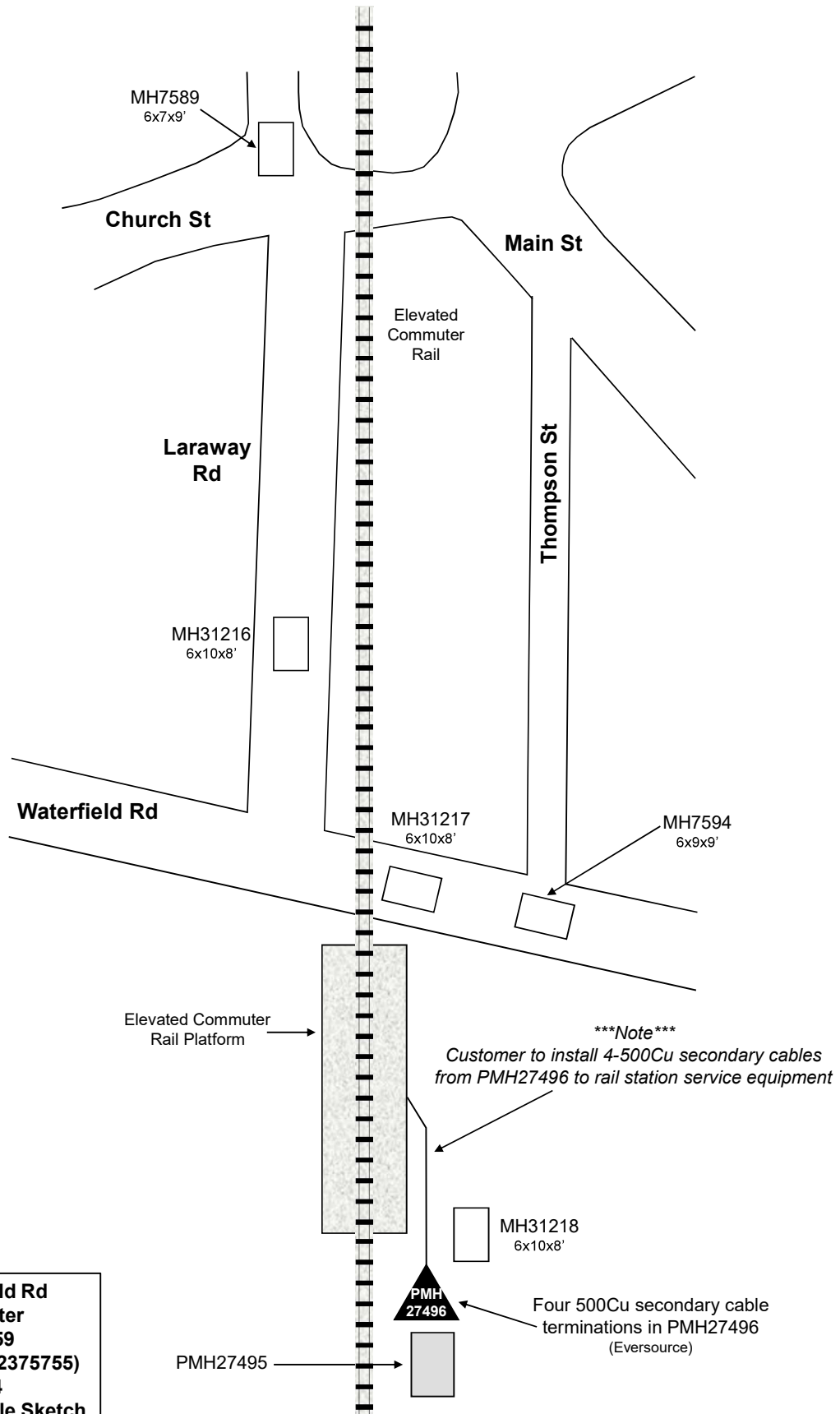


25 Waterfield Rd
Winchester
10859959
(Formerly PP02375755)
211-H4
Fused Distributor Sketch
Stephen F. Wasylak, Jr.
October 21, 2020
Rev. November 2, 2022
Page 3 of 6

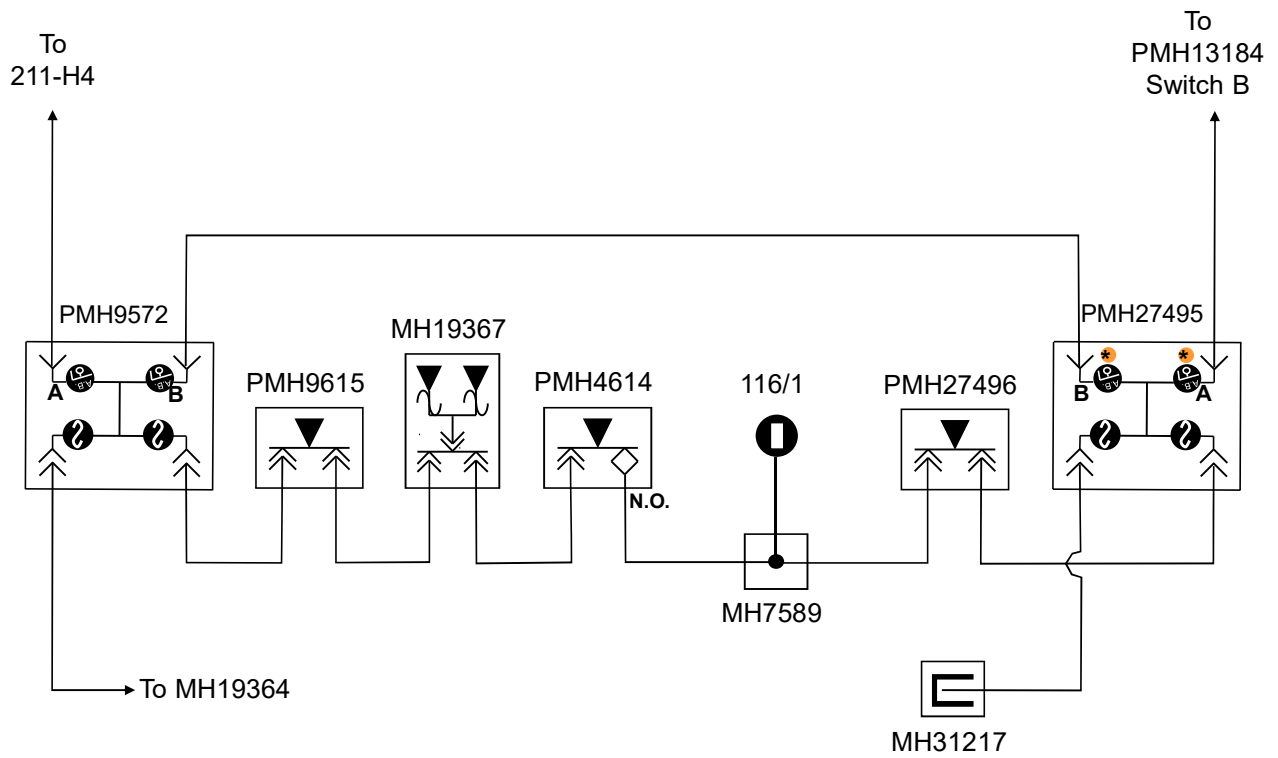
See page 4 of 6



25 Waterfield Rd
Winchester
10859959
(Formerly PP02375755)
211-H4
Fused Distributor Sketch
Stephen F. Wasylak, Jr.
October 21, 2020
Rev. November 2, 2022
Page 4 of 6



25 Waterfield Rd
Winchester
10859959
(Formerly PP02375755)
211-H4
Secondary Cable Sketch
Stephen F. Wasylak, Jr.
October 21, 2020
Rev. November 2, 2022
Page 5 of 6



Note Open elbows in PMH4614 towards PMH27496.
 ½ Loop from PMH9572B to open elbows in PMH4614 = 650kVA.
 ½ Loop from PMH27495A to open elbows in PMH4614 = 1375kVA.

25 Waterfield Rd
 Winchester
 10859959
 (Formerly PP02375755)
 211-H4
 Open Loop Schematic
 Stephen F. Wasylak, Jr.
 October 21, 2020
 Rev. November 2, 2022
 Page 6 of 6